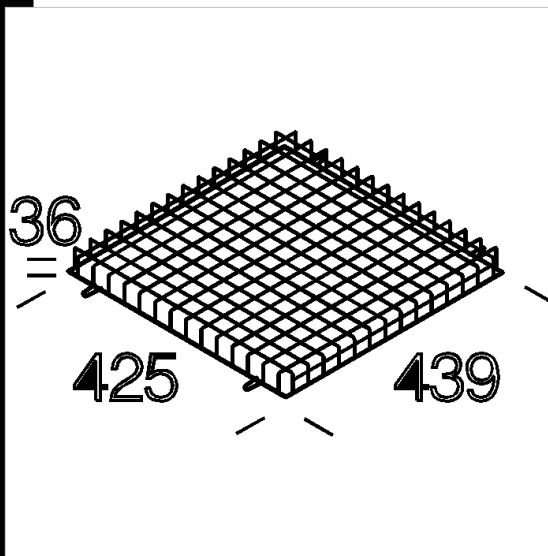
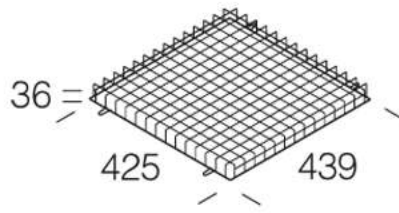


23 protective guard

In zinc-plated steel wire.  
For protection against impact.

Download

DXF 2D  
- d23.dxf



Code	Kg	WTot	Colour
995722-00	0.55	0 W	BLACK

Products



- 1129 Cromo - asymmetric



- 1129 Cromo

The reported luminous flux is the flux emitted by the light source with a tolerance of  $\pm 10\%$  compared to the indicated value. The W tot column indicates the total wattage absorbed by the system without exceeding 10% of the indicated