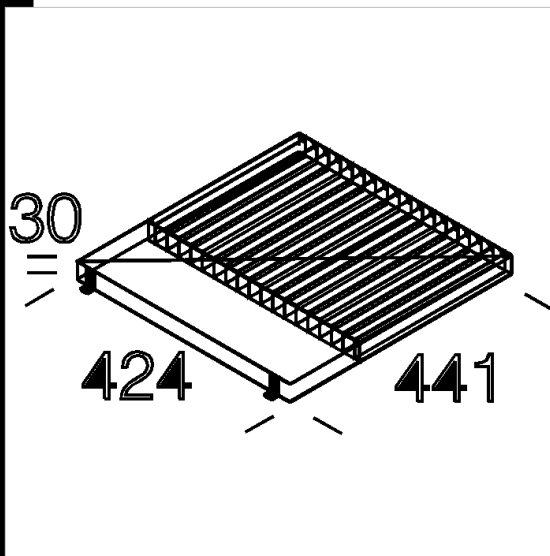
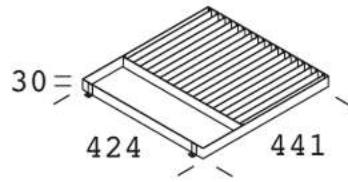


21 baffle louvre

In steel painted by epoxy cationic electrocoating. Used to reduce glare and better direct the light beam.

Download

DXF 2D
- d21.dxf



Code	Kg	WTot	Colour
995721-00	0.65	0 W	BLACK

Products



- 1129 Cromo - asymmetric



- 1129 Cromo

The reported luminous flux is the flux emitted by the light source with a tolerance of $\pm 10\%$ compared to the indicated value. The W tot column indicates the total wattage absorbed by the system without exceeding 10% of the indicated