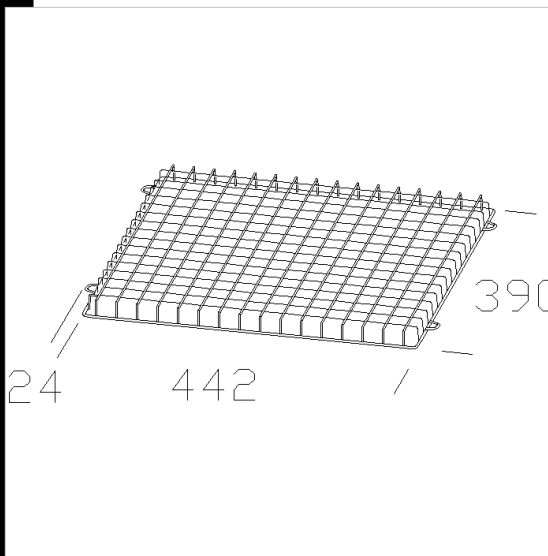
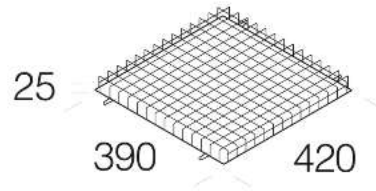


73 protective guard

In zinc-plated steel wire.
For protection against impact.

Download

DXF 2D
- 73.dxf



Code	Kg	WTot	Colour
995716-00	0.54	0 W	NERO

Products



- 1157 Indio



- 1159 Indio - asymmetric



- 1151 Indio - LED asymmetric



- 1158 Indio



- 1155 Indio - LED symmetric

The reported luminous flux is the flux emitted by the light source with a tolerance of $\pm 10\%$ compared to the indicated value. The W tot column indicates the total wattage absorbed by the system without exceeding 10% of the indicated