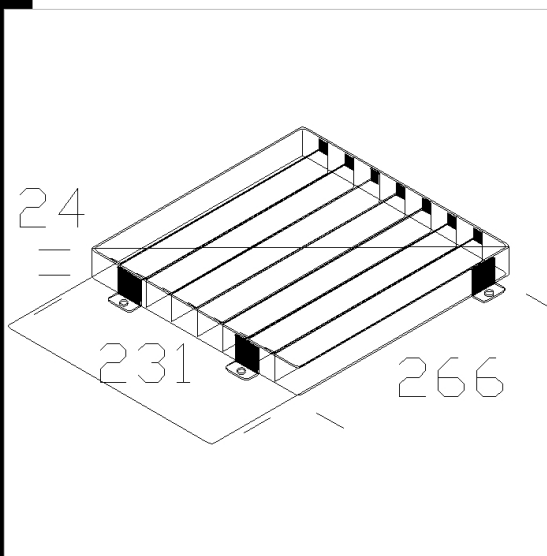
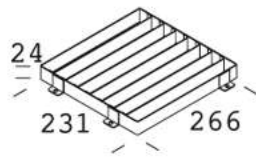


51 baffle louvre

In steel. Used to reduce glare and better direct the light beam.
For art. 1149.

Download

DXF 2D
- d51.dxf



Code	Kg	WTot	Colour
995711-00	0.01	0 W	BLACK

Products



- 1144 Litio - LED asymmetric



- 1149 Litio - asymmetric

The reported luminous flux is the flux emitted by the light source with a tolerance of $\pm 10\%$ compared to the indicated value. The W tot column indicates the total wattage absorbed by the system without exceeding 10% of the indicated