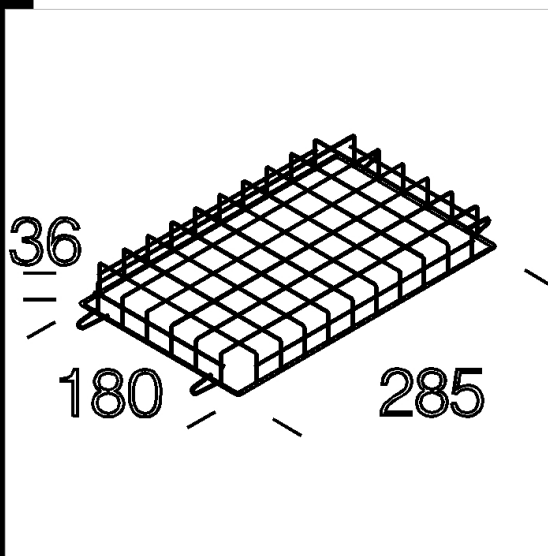
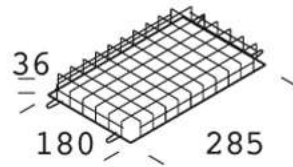


47 protective guard

In zinc-plated steel wire.
For protection against impact.
For art. 1148.

Download

DXF 2D
- d47.dxf



Code	Kg	WTot	Colour
995710-00	0.04	0 W	BLACK

Products



- 1148 Lito - asymmetric

The reported luminous flux is the flux emitted by the light source with a tolerance of $\pm 10\%$ compared to the indicated value. The W tot column indicates the total wattage absorbed by the system without exceeding 10% of the indicated