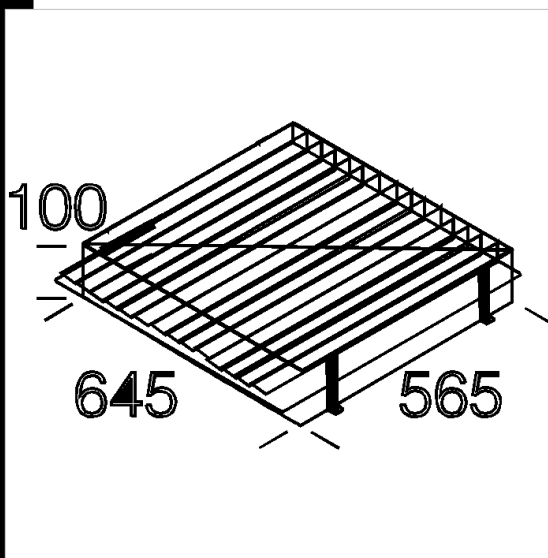
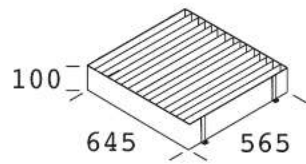


20 baffle louvre

In steel, painted by cathodic electrocoating. Used to reduce glare and better direct the light beam.

Download

DXF 2D  
- d20.dxf



Code	Kg	WTot	Colour
995699-00	4.87	0 W	BLACK

Products



- 1125 Lampo - narrow-beam



- 1125 Lampo - wide-beam

The reported luminous flux is the flux emitted by the light source with a tolerance of  $\pm 10\%$  compared to the indicated value. The W tot column indicates the total wattage absorbed by the system without exceeding 10% of the indicated