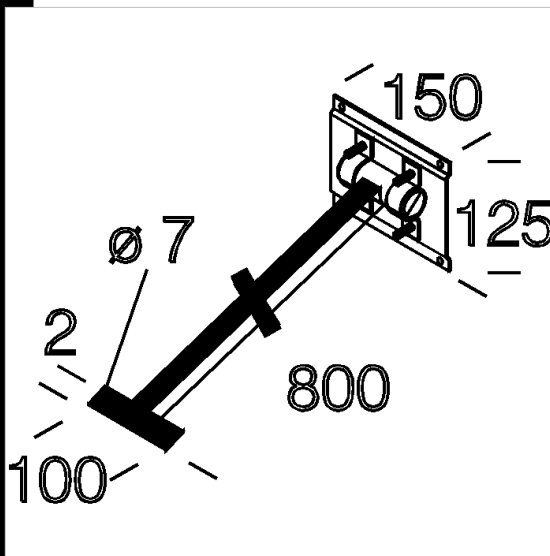
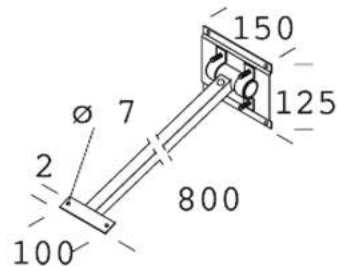


41 adjustable arm

Steel bracket.
For art. 1130-1131.



Code	Kg	WTot	Colour
995506-00	1,24	0 W	GRAPHITE
995507-00	1,26	0 W	GREY9007
995508-00	1,20	0 W	WHITE

Prodotti



- 1984 Micro Rodio - symmetric



- 1983 Micro Rodio - symmetric



- 1980 Micro Rodio - COB



- 1982 Micro Rodio - asymmetric

The reported luminous flux is the flux emitted by the light source with a tolerance of $\pm 10\%$ compared to the indicated value. The W tot column indicates the total wattage absorbed by the system without exceeding 10% of the indicated