

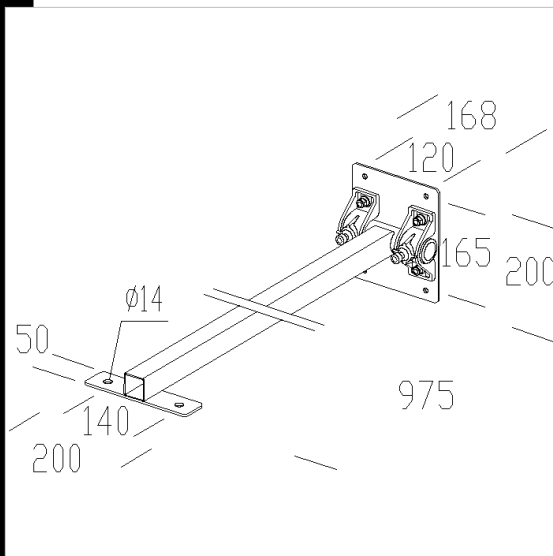
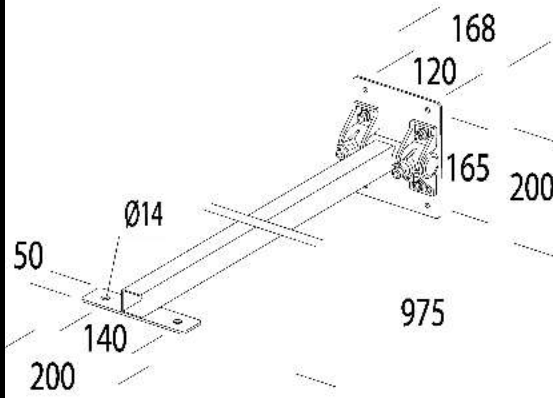


Download

- DXF 2D
- 42.dxf
- Montaggi
- acc_42.pdf

42 adjustable arm

Steel bracket.
For art. Lilio, Rodio, Cesio, Indio.



Code	Kg	WTot	Colour
995504-00	4.54	0 W	GRAPHITE

Products



- 1149 Lilio - asymmetric



- 1803 Rodio 3 asymmetric



- 1801 Rodio 2 asymmetric



- 1804 Rodio 3 symmetric



- 1805 Rodio 3



- 1157 Indio



- 1802 Rodio 2 symmetric



- 1801 Rodio 2 asymmetric double isolation



- 1148 Lilio - asymmetric



- 1159 Indio - asymmetric



- 1803 Rodio 3 asymmetric double isolation



- 1151 Indio - LED asymmetric



- 1144 Lilio - LED asymmetric



- 1158 Indio



- 1155 Indio - LED symmetric

The reported luminous flux is the flux emitted by the light source with a tolerance of ± 10% compared to the indicated value. The W tot column indicates the total wattage absorbed by the system without exceeding 10% of the indicated