

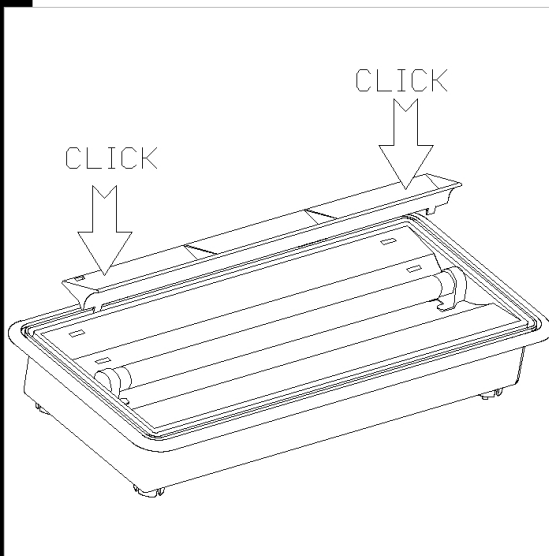
Download

DXF 2D  
- 322.dxf



### 322 Baffle plate for asymmetry

In polycarbonate. To use in order to render the luminous emission asymmetric



Code	Kg	WTot	Colour
995211-00	0.25	0 W	WHITE

#### Products



- 619 Safety only 3hr maintained



- 614 Safety permanent 1 hr



- 618 Safety permanent 3 hr



- 616 Safety permanent 1 hr



- 617 Safety only 1hr maintained emergency S.A.



- 615 Safety only 1hr maintained emergency S.A.

The reported luminous flux is the flux emitted by the light source with a tolerance of  $\pm 10\%$  compared to the indicated value. The W tot column indicates the total wattage absorbed by the system without exceeding 10% of the indicated