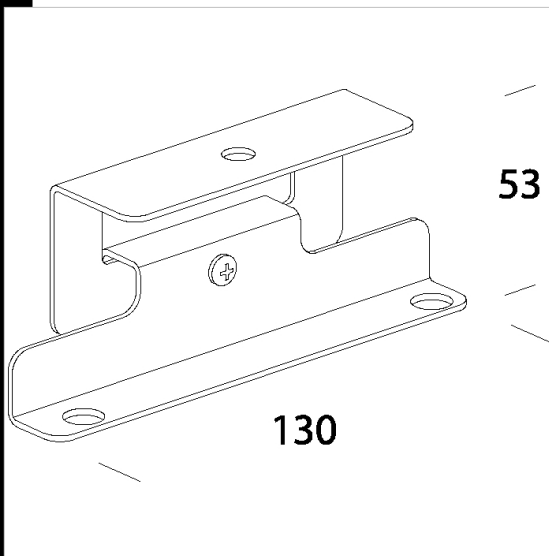
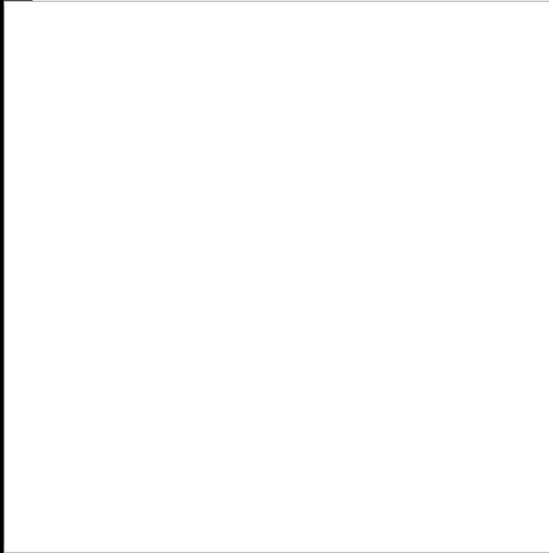


216 Ceiling mounting unit IP65 version

To be mounted directly on the ceiling.
4 per pack.

Download

DXF 2D
- 216.dxf



Code	Kg	WTot	Colour
994677-00	0,60	0 W	WHITE

Prodotti



- 2658 Evoluzione IP65 - wide



- 2659 Evoluzione IP65 - narrow



- 2657 Evoluzione IP65 - narrow



- 2656 Evoluzione IP65 - wide

The reported luminous flux is the flux emitted by the light source with a tolerance of $\pm 10\%$ compared to the indicated value. The W tot column indicates the total wattage absorbed by the system without exceeding 10% of the indicated