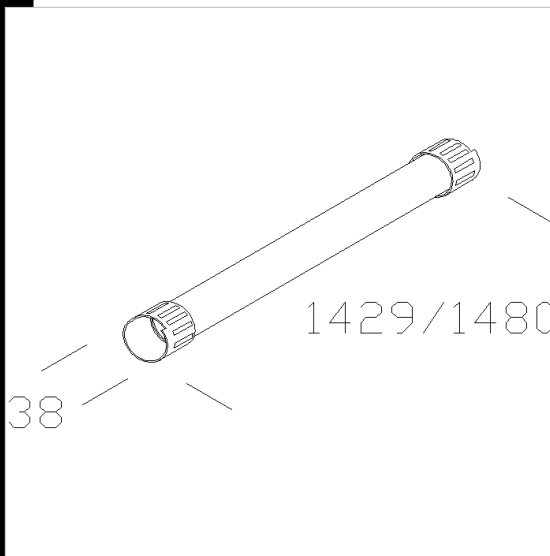
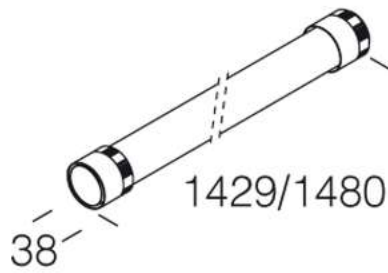


1923 protective tube

In polycarbonate, scored inside and smooth outside, dust-proof, vandal resistant and V2 self-extinguishing, UV-stabilized.
Safety collars in polycarbonate. For better protection and longer lamp life.

Download

DXF 2D
- 1923.dxf



Code	Kg	Lumen-K-CRI	WTot	Base
994666-00	0.23	FL 1x80-6550lm-4000k-Ra 1b	0 W	G5

Products



- 1903 Super - 2+2 simple



- 1901 Super - 1+1 simple

The reported luminous flux is the flux emitted by the light source with a tolerance of $\pm 10\%$ compared to the indicated value. The W tot column indicates the total wattage absorbed by the system without exceeding 10% of the indicated