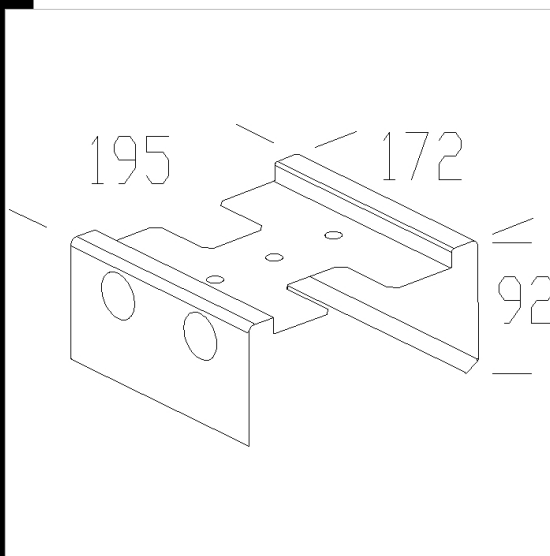
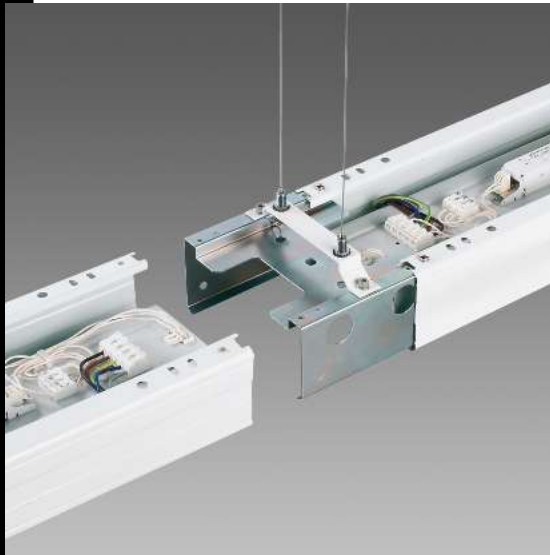


1925 linear joint

In sheet steel. For continuous line and junction of two fixtures



Code	Kg	WTot	Colour
994649-00	0,02	0 W	GALVANIZED

Prodotti



- 1903 Super - 2+2 simple



- 1904 Super - LED



- 1901 Super - 1+1 simple

Download

DXF 2D
- 1925.dxf

The reported luminous flux is the flux emitted by the light source with a tolerance of $\pm 10\%$ compared to the indicated value. The W tot column indicates the total wattage absorbed by the system without exceeding 10% of the indicated