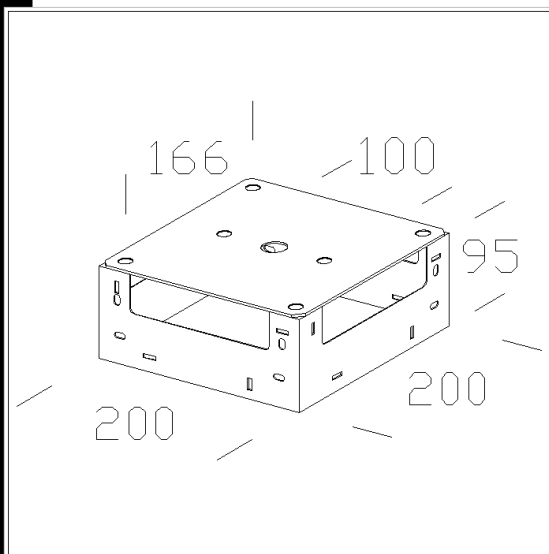


1911 cube

In sheet steel. For junction of up to 4 fixtures. Complete with two end caps.

Download

DXF 2D
- acc1911.dxf



Code	Kg	WTot	Colour
994641-00	0,13	0 W	WHITE

Prodotti



- 1903 Super - 2+2 simple



- 1904 Super - LED



- 1901 Super - 1+1 simple

The reported luminous flux is the flux emitted by the light source with a tolerance of $\pm 10\%$ compared to the indicated value. The W tot column indicates the total wattage absorbed by the system without exceeding 10% of the indicated