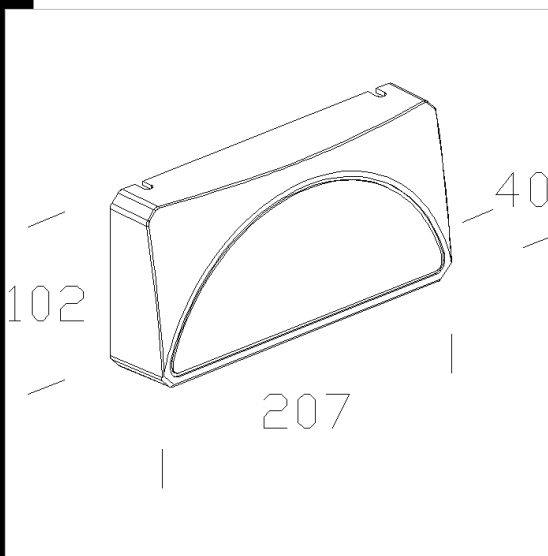
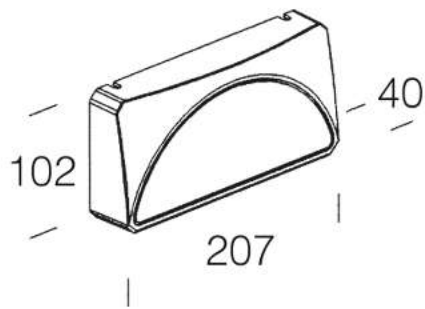


1910 end cap

In ABS. To be used as end cap for modules. Price per sachet with 2 pcs.

Download

DXF 2D
- acc1910.dxf



Code	Kg	WTot	Colour
994640-00	0.01	0 W	WHITE

Products



- 1903 Super - 2+2 simple



- 1901 Super - 1+1 simple

The reported luminous flux is the flux emitted by the light source with a tolerance of $\pm 10\%$ compared to the indicated value. The W tot column indicates the total wattage absorbed by the system without exceeding 10% of the indicated