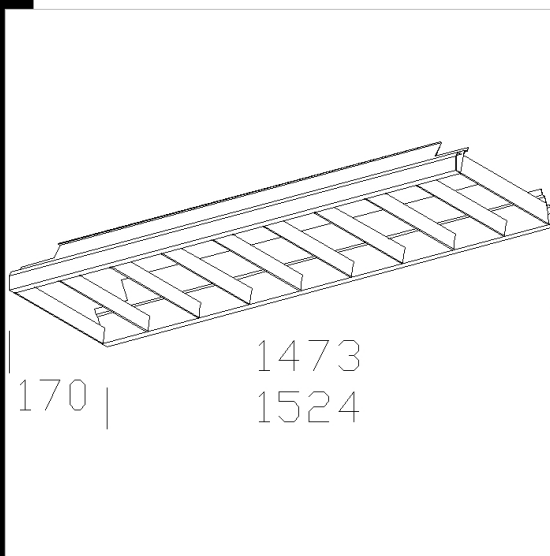


1921 optics high-gloss

Dark light optics in anti-reflection and anti-iridescence very low luminance 60° high-gloss aluminium.



Code	Kg	Lumen-K-CRI	WTot	Colour
994639-00	0.77	1/2 x 80---	0 W	ALUMINIUM
994655-00	0.77	FL 1/2x58---	0 W	ALUMINIUM

Products



- 1903 Super - 2+2 simple



- 1901 Super - 1+1 simple

The reported luminous flux is the flux emitted by the light source with a tolerance of $\pm 10\%$ compared to the indicated value. The W tot column indicates the total wattage absorbed by the system without exceeding 10% of the indicated