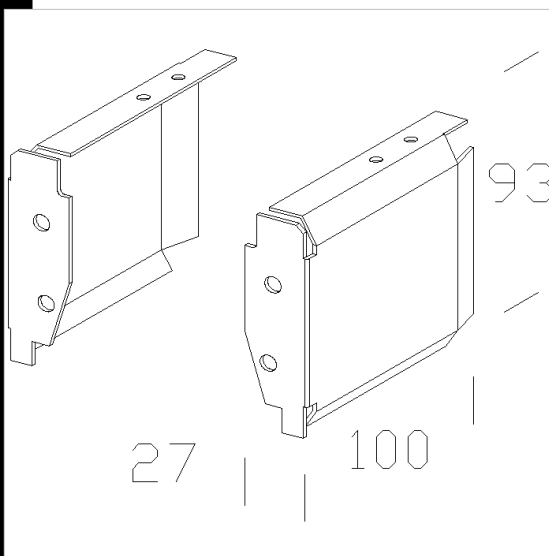


1914 junction bracket

In sheet steel. To be used with cube acc 1911/1912. Price per sachet (2 pcs).

Download  
DXF 2D  
- acc1914.dxf



Code	Kg	WTot	Colour
994637-00	0,11	0 W	GALVANIZED

Prodotti



- 1903 Super - 2+2 simple



- 1904 Super - LED



- 1901 Super - 1+1 simple

The reported luminous flux is the flux emitted by the light source with a tolerance of  $\pm 10\%$  compared to the indicated value. The W tot column indicates the total wattage absorbed by the system without exceeding 10% of the indicated