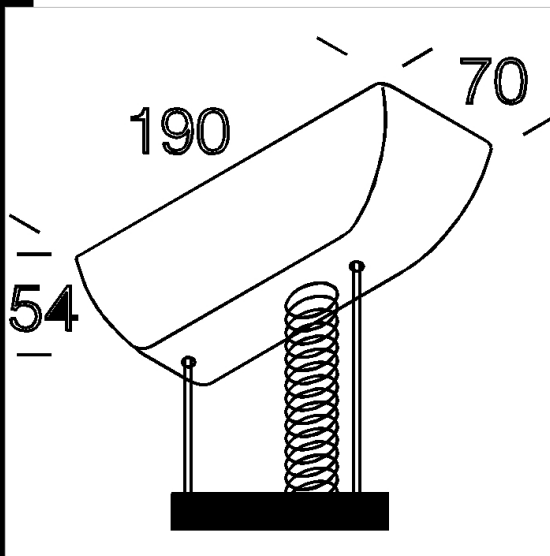


2608 powered suspension

Nylon cover with steel brackets. Complete with wire (l = 1.5 m), millimeter adjustment device and spiral power supply cable.



Code	Kg	WTot	Colour
994617-00	0,73	0 W	WHITE

Prodotti



- 731 Minicomfort R LED -



- 731 Minicomfort LED x4 -



- 740 LED Panel R - CRI 80



- 740 LED Panel - CRI 93

The reported luminous flux is the flux emitted by the light source with a tolerance of  $\pm 10\%$  compared to the indicated value. The W tot column indicates the total wattage absorbed by the system without exceeding 10% of the indicated