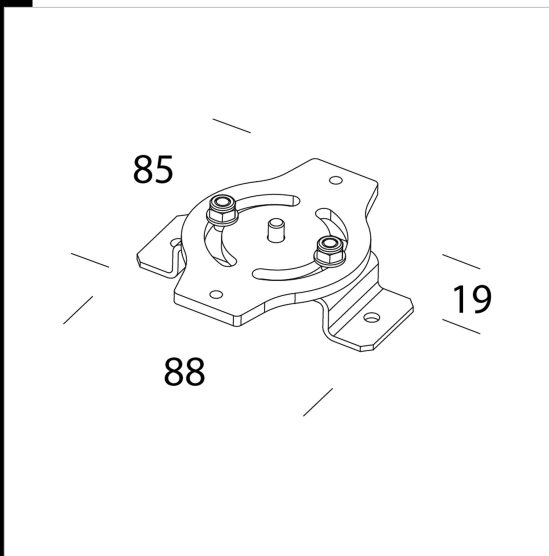
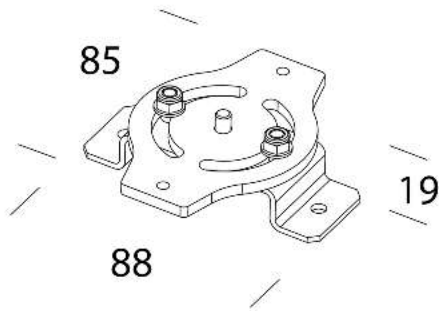


Download

DXF 2D
- 533.dxf



Code	Kg	WTot	Colour
993975-00	0,12	0 W	STAINLESS STEEL

Prodotti



- 2784 Astro HP - UGR<25 -



- 1788 Astro - narrow beam



- 2784 Astro HP - UGR<22 -



- 2785 Astro - wide beam with



- 2786 Astro - UGR<22 - wide beam



- 2787 Astro - UGR<22 - elliptical



- 1789 Astro ATEX - UGR<25 - wide beam



- 1789 Astro - UGR<25 - wide beam



- 2790 Astro HE - UGR<22 - wide beam



- 2791 Astro HT - UGR<22 - high temperature



- 2789 Astro - elliptical



- 2793 Astro HT - UGR<25 - high temperature



- 2792 Astro HE - UGR<22 - elliptical beam



- 2783 Astro HP - UGR<22 - elliptical - high performance

The reported luminous flux is the flux emitted by the light source with a tolerance of $\pm 10\%$ compared to the indicated value. The W tot column indicates the total wattage absorbed by the system without exceeding 10% of the indicated