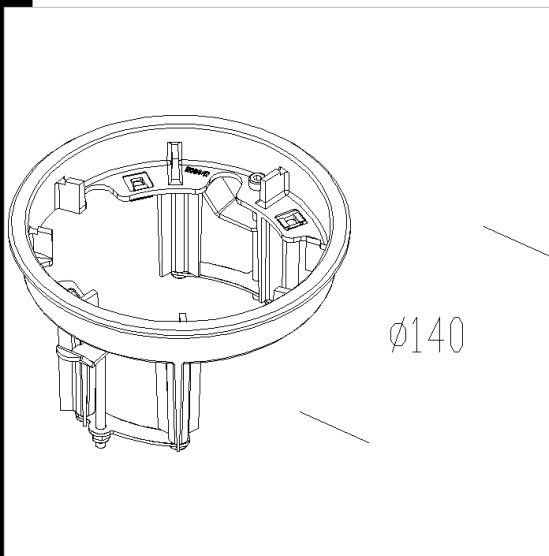
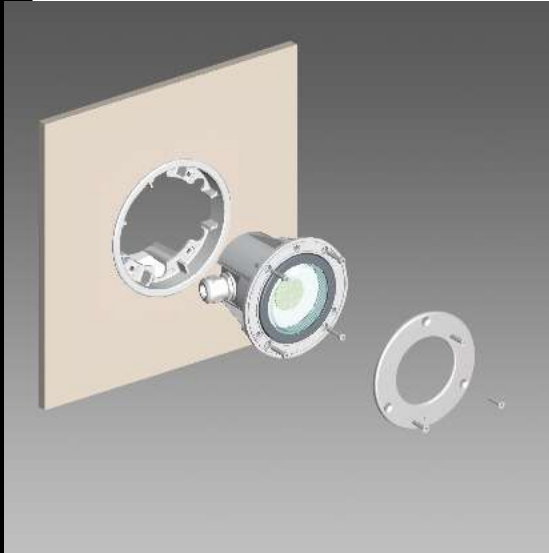




Download  
DXF 2D  
-acc\_314.dxf

### 314 wall frame

To install Microfloor on walls



Code	Kg	WTot	Colour
993926-00	0.14	0 W	BIANCO

#### Products



- 1650 Microfloor LED



- 1634 Microfloor LED



- 1648 Microfloor asymmetric



- 1649 Microfloor



- 1661 Microfloor LED - 230V



- 1635 Microfloor LED RGB Fullcolor



- 1670 Microfloor LED 230V

The reported luminous flux is the flux emitted by the light source with a tolerance of  $\hat{A} \pm 10\%$  compared to the indicated value. The W tot column indicates the total wattage absorbed by the system without exceeding 10% of the indicated