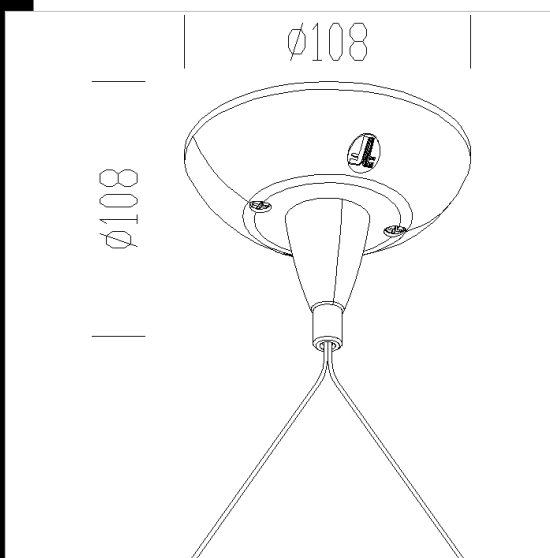
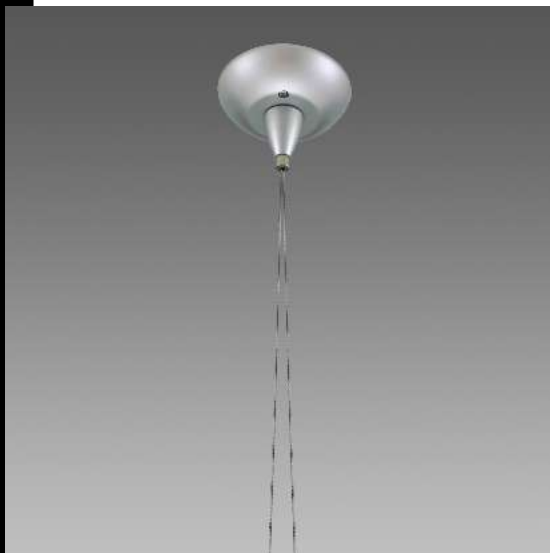


Download

DXF 2D
- 2513.dxf
BIM
- Acc. 2513-2514-2519 - 20200224.zip



Code	Kg	WTot	Colour
993917-00	0,45	0 W	MET. SILVER

Prodotti



- 3873 Channel 1 T5



- 3874 Channel 2 T5



- 2230 Giano 1 T5



- 2231 Giano 2 T5



- 3878 Channel - direct - indirect light



- 3877 Channel - direct light



- 2233 Giano 2 T5 - bilamp

The reported luminous flux is the flux emitted by the light source with a tolerance of $\pm 10\%$ compared to the indicated value. The W tot column indicates the total wattage absorbed by the system without exceeding 10% of the indicated