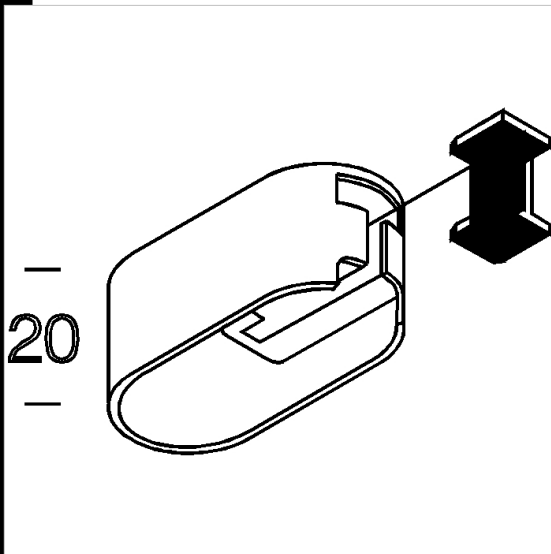


2017 ceiling connection

In f.g. nylon, with zamak support.
Used for direct ceiling installation.
For 1/2- lamp versions.



Code	Kg	WTot	Colour
993902-00	0.08	0 W	BLACK

Products



- 3087 Top



- 3086 Top



- 3085 Top



- 3084 Top

The reported luminous flux is the flux emitted by the light source with a tolerance of $\pm 10\%$ compared to the indicated value. The W tot column indicates the total wattage absorbed by the system without exceeding 10% of the indicated