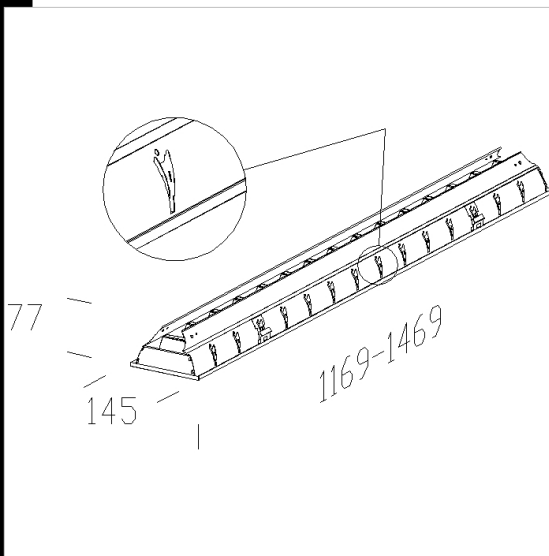


Download

DXF 2D
- 490.dxf



Code	Kg	Lumen-K-CRI	WTot
993884-00	1.46	49---	0 W
993883-00	1.55	54---	0 W

Products



- 1945 Speed T5



- 1930 Speed T5 - without

The reported luminous flux is the flux emitted by the light source with a tolerance of $\pm 10\%$ compared to the indicated value. The W tot column indicates the total wattage absorbed by the system without exceeding 10% of the indicated