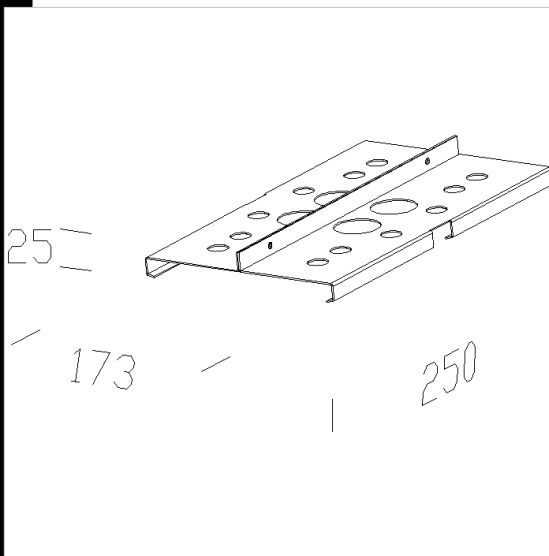


Download

DXF 2D
- 441.dxf



Code	Kg	WTot	Colour
993860-00	0.44	0 W	WHITE

Products



- 1945 Speed T5



- 1930 Speed T5 - without



- 1931 Speed T5 - high gloss



- 1932 Speed T5 - matt louvre



- 1933 Speed T5 - matt scored



- 1934 Speed T8 - without diffuser



- 1935 Speed T8 - high gloss louvre 99.99



- 1936 Speed T8 - matt louvre 99.99



- 1937 Speed T8 - matt scored

The reported luminous flux is the flux emitted by the light source with a tolerance of $\pm 10\%$ compared to the indicated value. The W tot column indicates the total wattage absorbed by the system without exceeding 10% of the indicated