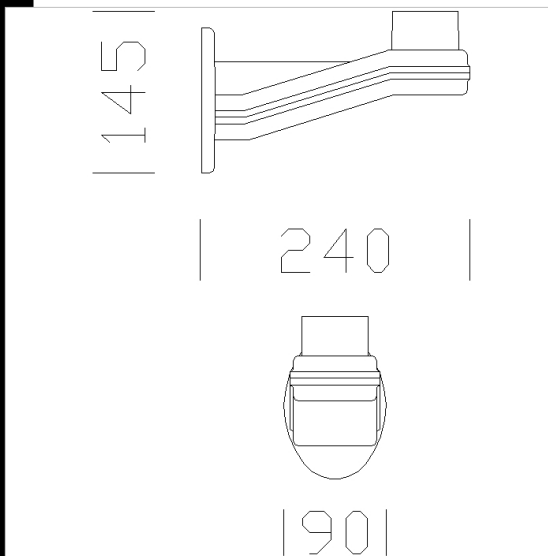
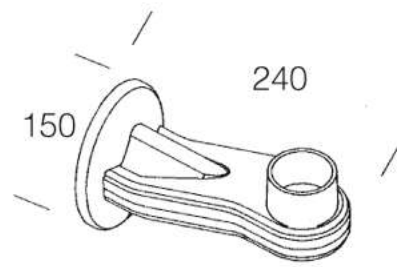


1377 nylon arm

In black f.g. nylon.
For wall mounting of diffusers h 246/361.

Download

DXF 2D
- 1377.dxf



Code	Kg	WTot	Colour
991605-00	0,31	0 W	BLACK

Prodotti



- 1320 large base



- 1313 aluminum base CNRL



- 1350 sferico



- 1313 aluminium base S/CNR

The reported luminous flux is the flux emitted by the light source with a tolerance of $\pm 10\%$ compared to the indicated value. The W tot column indicates the total wattage absorbed by the system without exceeding 10% of the indicated