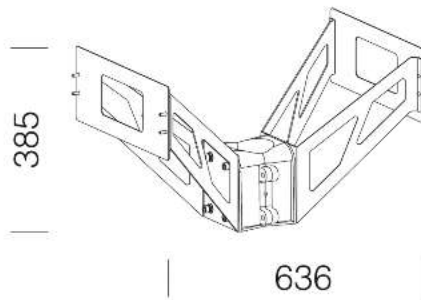


**Download**

- 3DS  
- disano\_501.3ds
- 3DM  
- disano\_501.3dm



Code	Kg	WTot	Colour
991450-00	10,00	0 W	SANDBLASTED SILVER
991451-00	10,00	0 W	WHITE

**Prodotti**



- 1295 Onda 1 - direct or indirect



- 1297 Onda 3 - direct light



- 1296 Onda 2 - direct or

The reported luminous flux is the flux emitted by the light source with a tolerance of  $\pm 10\%$  compared to the indicated value. The W tot column indicates the total wattage absorbed by the system without exceeding 10% of the indicated