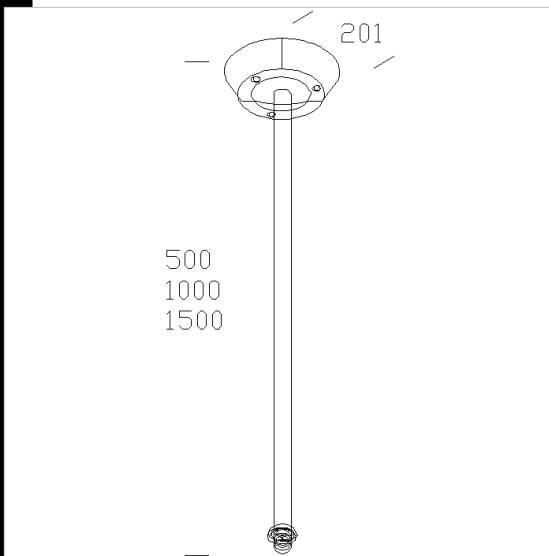




14 ceiling mount \varnothing 30

In die-cast aluminium, with sand-blasted steel tube painted by epoxy cationic electrocoating, with rough finish. For suspension. Of various size.



Code	Kg	WTot	Colour
991344-00	5.00	0 W	SANDBLASTED SILVER
991342-00	2.00	0 W	SANDBLASTED SILVER
991343-00	3.50	0 W	SANDBLASTED SILVER
991447-00	1.00	0 W	GRAPHITE
991448-00	2.00	0 W	GRAPHITE
991449-00	2.00	0 W	GRAPHITE

Products



- 3301 Visconti 2 - with glass



- 3307 Visconti 8 LED - Amenities



- 3310 Visconti 11 LED

The reported luminous flux is the flux emitted by the light source with a tolerance of $\pm 10\%$ compared to the indicated value. The W tot column indicates the total wattage absorbed by the system without exceeding 10% of the indicated