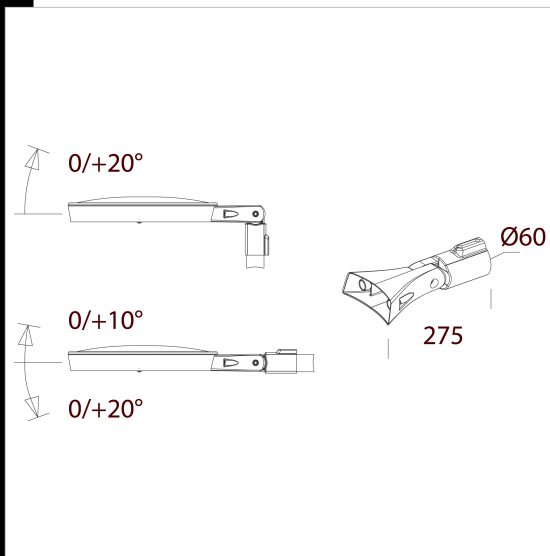


286 adjustable arm

In die-cast aluminium. For for $\varnothing 60$ mm side-mount applications.



Code	Kg	WTot	Colour
991445-00	1,33	0 W	GRAPHITE

Prodotti



- 3337 Visconti 2.0 - ERRATO



- 3338 Visconti 2.0 - ERRATO



- 3337 Visconti 2.0 - street type



- 3338 Visconti 2.0 - byke trials



- 3339 Visconti 2.0 - large areas

Download

DXF 2D
- 286.dxf

The reported luminous flux is the flux emitted by the light source with a tolerance of $\pm 10\%$ compared to the indicated value. The W tot column indicates the total wattage absorbed by the system without exceeding 10% of the indicated