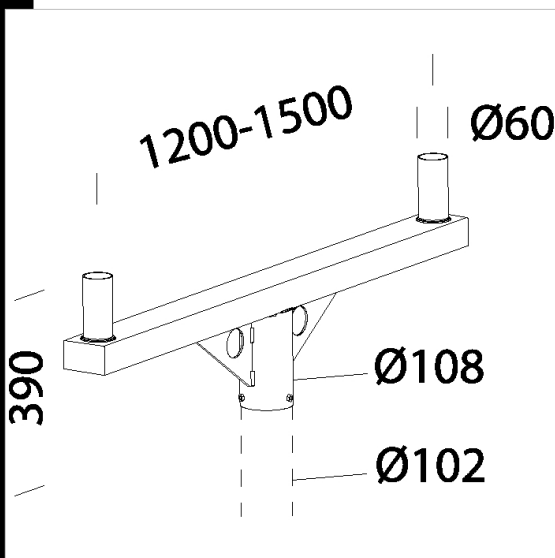
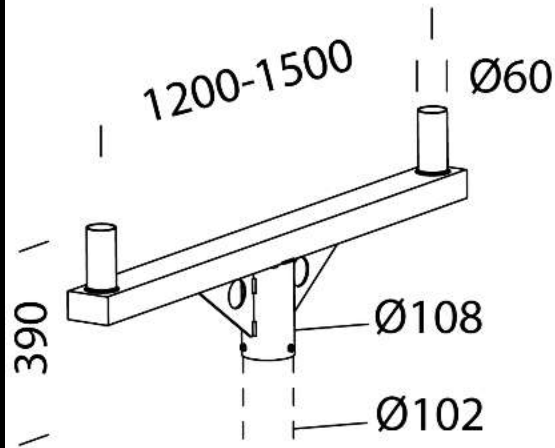


Download
DXF 2D
- 291.dxf



Code	Kg	WTot	Colour
991444-00	11.50	0 W	GRAPHITE

Products



- 3315 Pordoi - with glass



- 3318 Pordoi



- 3320 Pordoi 4 - LED - street



- 3321 Pordoi 5 - LED - Wide



- 3317 Pordoi

The reported luminous flux is the flux emitted by the light source with a tolerance of $\pm 10\%$ compared to the indicated value. The W tot column indicates the total wattage absorbed by the system without exceeding 10% of the indicated