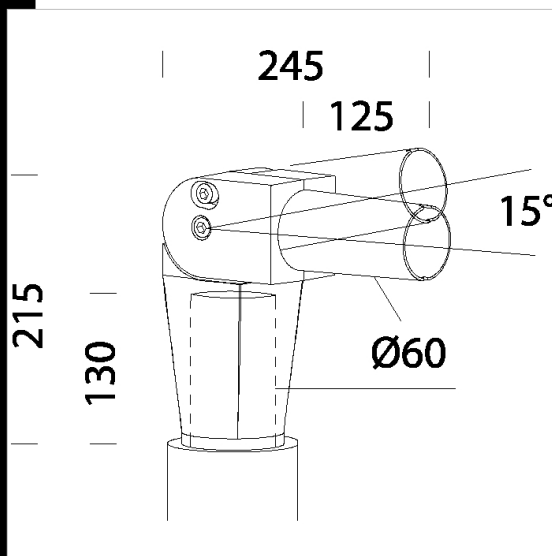
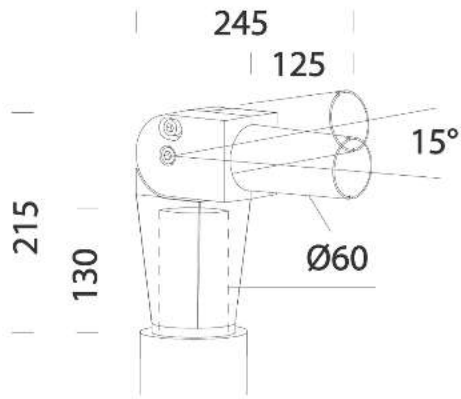


290joint

To be used for installation on poles with Ø60 terminals
Always use with poles 1477/1478 - 1485/1487

Download

DXF 2D
- 289.dxf



Code	Kg	WTot	Colour
991438-00	1,87	0 W	GREY9007
991439-00	1,87	0 W	GRAPHITE

Prodotti



- 3330 Disco 1 - LED - Street



- 3331 Disco 2 - wide beam

The reported luminous flux is the flux emitted by the light source with a tolerance of $\pm 10\%$ compared to the indicated value. The W tot column indicates the total wattage absorbed by the system without exceeding 10% of the indicated