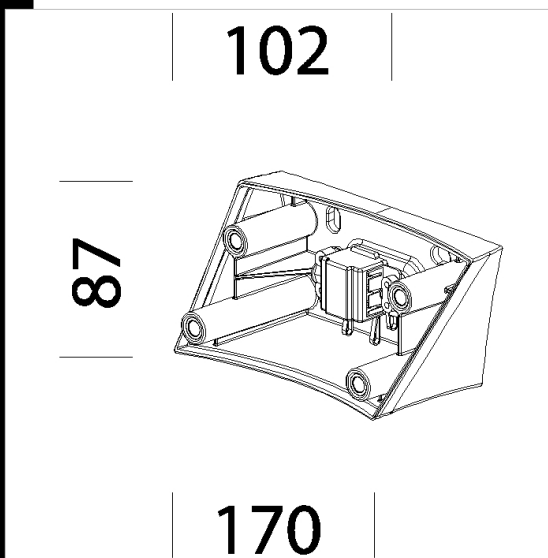
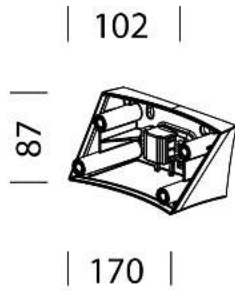


Download

DXF 2D
- 283.dxf



Code	Kg	WTot	Colour
991436-00	1.89	0 W	GRAPHITE

Posts



- 1487 poles to be sunk into the

Products



- 3302 Visconti 3



- 3304 Visconti 5



- 3305 Visconti 6 - Bike Trails



- 3308 Visconti 9 LED - wide beam



- 3309 Visconti 10 LED - Bike Trails

The reported luminous flux is the flux emitted by the light source with a tolerance of $\pm 10\%$ compared to the indicated value. The W tot column indicates the total wattage absorbed by the system without exceeding 10% of the indicated