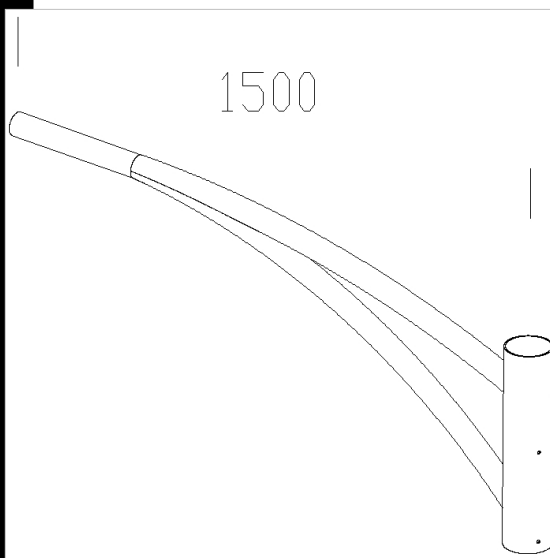


400 'Aliante' arm

Made of steel. Enables street lighting fittings to be pole mounted.



Download

- DXF 2D
- 400.dxf
- 3DS
- disano_400_aliante.3ds
- 3DM
- disano_400_aliante.3dm
- Montaggi
- 1475-1476-400-405-406 01-11.pdf

Code	Kg	WTot	Colour
991422-00	18,00	0 W	GREY9007
991423-00	18,00	0 W	GRAPHITE

Pali



- 1476 "Aliante" pole with base



- 1475 "Aliante" pole to be buried

Prodotti



- 1755 Monza - with flat glass



- 3752 Metropolis - LED



- 3751 Metropolis - LED - wide beam

The reported luminous flux is the flux emitted by the light source with a tolerance of $\pm 10\%$ compared to the indicated value. The W tot column indicates the total wattage absorbed by the system without exceeding 10% of the indicated