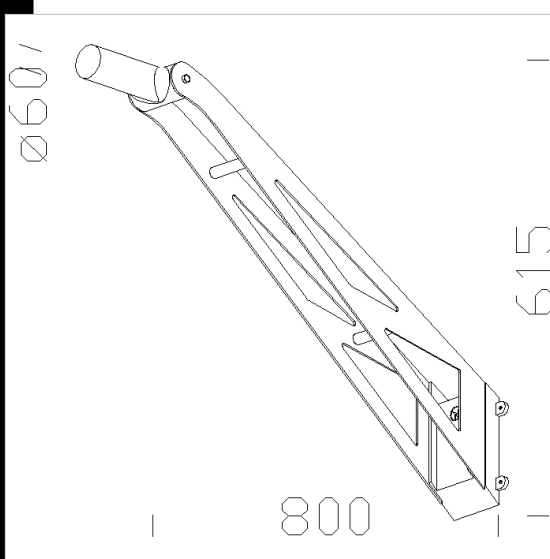


467 arm

Pole arm. To be used with pole art. 1492/1494.

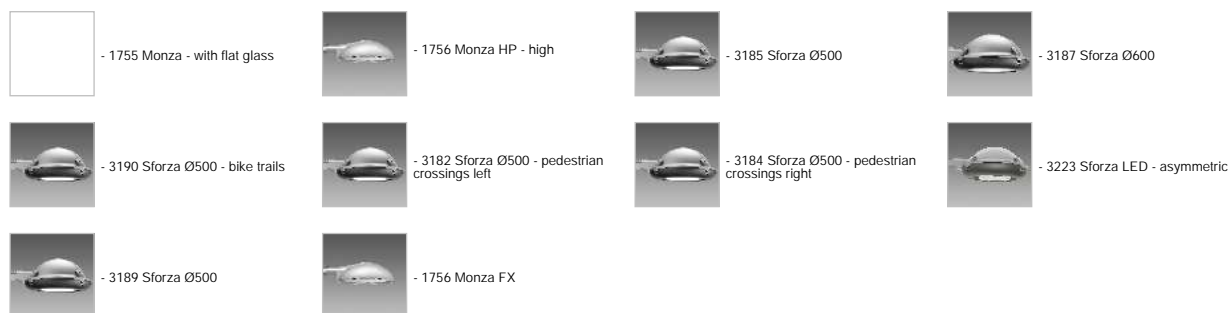
Download

- DXF 2D
- 466.dxf
- 3DS
- disano_467.3ds
- 3DM
- disano_467.3dm



| Code | Kg | WTot | Colour |
|-----------|------|------|--------------------|
| 991413-00 | 7,99 | 0 W | SANDBLASTED SILVER |

Prodotti



The reported luminous flux is the flux emitted by the light source with a tolerance of ± 10% compared to the indicated value. The W tot column indicates the total wattage absorbed by the system without exceeding 10% of the indicated