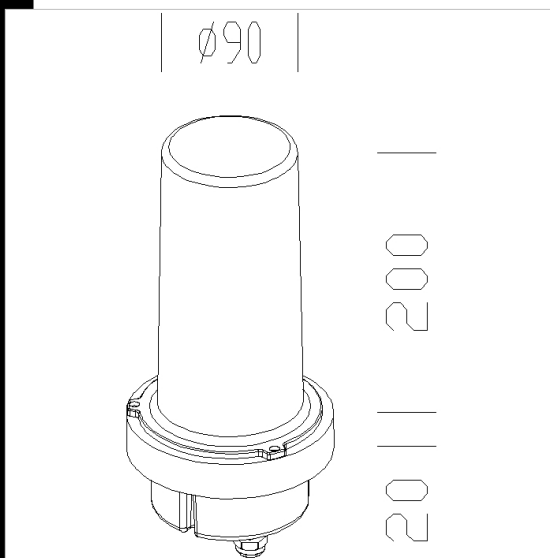
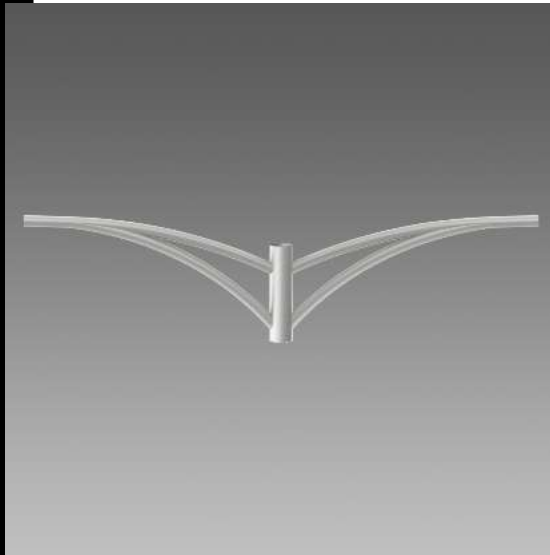


450 LED head

Die cast aluminium connection. To be installed on pole to give an aesthetic finish.



Code	Gear	Kg	Lumen-K-CRI	WTot	Colour
991395-00	CLD CELL	1,30	LED---	0 W	GREY
991395-71	CLD CELL	0,52	LED blue---	0 W	GREY

Pali



- 1476 "Aliante" pole with base



- 1475 "Aliante" pole to be buried



- 1416 poles to be sunk into the



- 1415 pole with base ø159

Prodotti



- 3172 Montecarlo



- 3174 Montecarlo with glass



- 1755 Monza - with flat glass



- 3160 Irìde - direct light



- 3164 Irìde - direct scattered light



- 3162 Irìde - direct light



- 3171 Montecarlo - asymmetric

The reported luminous flux is the flux emitted by the light source with a tolerance of $\pm 10\%$ compared to the indicated value. The W tot column indicates the total wattage absorbed by the system without exceeding 10% of the indicated