

389 Pegaso wall mounted

Download

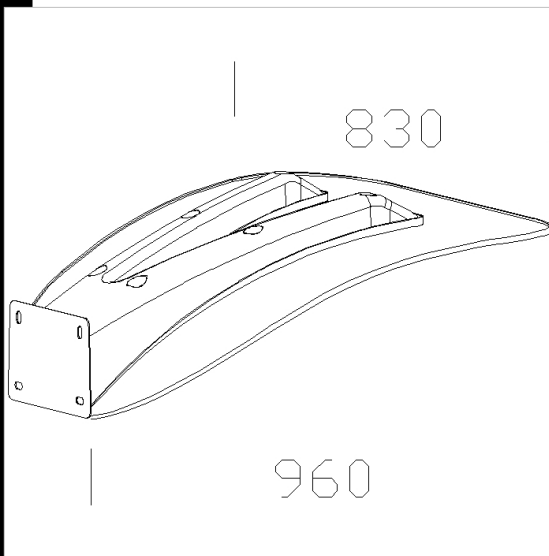
- DXF 2D
- 389.dxf
- Montaggi
- ACC_387_8_9_460.pdf



Housing: 6 mm. thick fibreglass reinforced polyester
Support: Die cast aluminium with pole connection also made of die cast aluminium.

Pole designed for Pegaso: ø 102 silver colour steel. Complete with inspection window with removable terminal strip. The version with base comes complete with a plinth, 4 tie rods to be buried, bolts, nuts and caps

Indirect light plate to be mounted directly on the wall.
RECOMMENDED FLOODLIGHTS TO BE USED WITH PEGASO
Use of the most appropriate floodlight according to the environment where installed is recommended.



Code	Kg	WTot	Colour
991393-00	17,00	0 W	GREY9007

Prodotti



- 1521 Elfo for Pegaso CDM-T70



- 1292 Cilindro - direct light



- 1290 Cilindro - direct and



- 1291 Cilindro - direc indirect



- 1522 Elfo for Pegaso CDM-T150



- 1561 Elfo LED for Pegaso - COB



- 1293 Cilindro 4

The reported luminous flux is the flux emitted by the light source with a tolerance of ± 10% compared to the indicated value. The W tot column indicates the total wattage absorbed by the system without exceeding 10% of the indicated