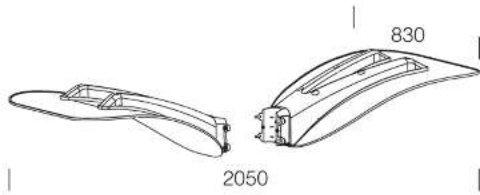


388 double Pegaso

Download

DXF 2D
- 388.dxf

Montaggi
- ACC_387_8_9_460.pdf

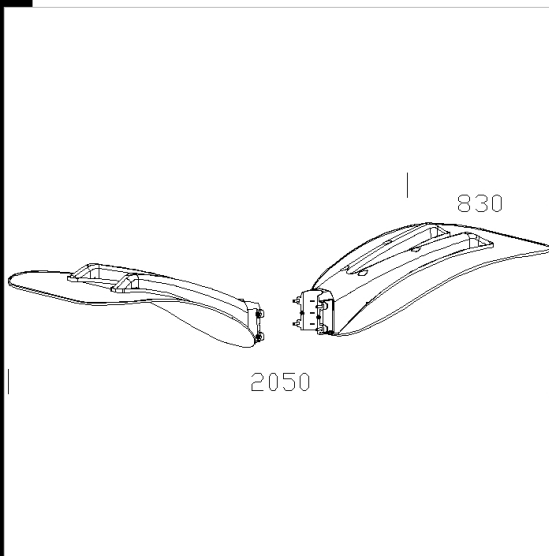


Housing: 6 mm. thick fibreglass reinforced polyester
Support: Die cast aluminium with pole connection also made of die cast aluminium.

Pole designed for Pegaso: \varnothing 102 silver colour steel. Complete with inspection window with removable terminal strip. The version with base comes complete with a plinth, 4 tie rods to be buried, bolts, nuts and caps
Single or double polyester plate to create indirect lighting effects. To be used mounted directly on the pole together with the fittings of the various products to install Pegaso on the poles - access. 1492/1494.

RECOMMENDED FLOODLIGHTS TO BE USED WITH PEGASO

Use of the most appropriate floodlight according to the environment where installed is recommended.



Code	Kg	WTot	Colour
991392-00	31,50	0 W	GREY9007

Pali



- 1487 poles to be sunk into the



- 1485 pole with base - Pegaso

Prodotti



- 1521 Elfo for Pegaso CDM-T70



- 1292 Cilindro - direct light



- 1290 Cilindro - direct and indirect light



- 1291 Cilindro - direc indirect light with lens



- 1522 Elfo for Pegaso CDM-T150



- 1561 Elfo LED for Pegaso - COB



- 1293 Cilindro 4

The reported luminous flux is the flux emitted by the light source with a tolerance of \pm 10% compared to the indicated value. The W tot column indicates the total wattage absorbed by the system without exceeding 10% of the indicated