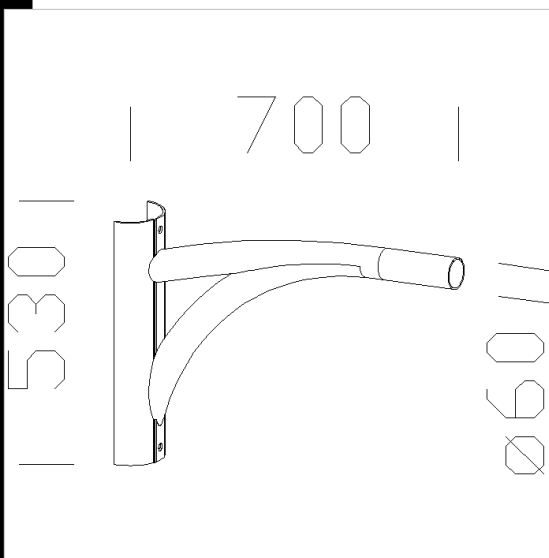


### 406 Short 'Aliante' arm

Made of steel. Enables street lighting fittings to be pole mounted.



**Download**

- DXF 2D  
- 406.dxf
- 3DS  
- disano\_406\_aliante.3ds
- 3DM  
- disano\_406\_aliante.3dm
- Montaggi  
- 1475-1476-400-405-406 01-11.pdf

| Code      | Kg    | WTot | Colour   |
|-----------|-------|------|----------|
| 991388-00 | 11,00 | 0 W  | GRAPHITE |
| 991387-00 | 11,00 | 0 W  | GREY9007 |

**Pali**



- 1476 "Aliante" pole with base



- 1475 "Aliante" pole to be buried

**Prodotti**



- 1751 Metropolis narrow beam



- 1244 Torpedo bike trails



- 1581 Volo - Street optic



- 1582 Volo - wide beam



- 1572 Volo Bike rails



- 1580 Volo - asymmetric



- 1755 Monza - with flat glass



- 1752 Metropolis wide beam



- 1240 Torpedo



- 1756 Monza HP - high performance



- 3185 Sforza Ø500



- 3187 Sforza Ø600



- 1753 Metropolis bike trails



- 1573 Volo LED wide beam



- 1593 Volo LED - bike trails



- 1750 Metropolis



- 3752 Metropolis - LED



- 3751 Metropolis - LED - wide beam



- 1756 Monza FX

The reported luminous flux is the flux emitted by the light source with a tolerance of  $\pm 10\%$  compared to the indicated value. The W tot column indicates the total wattage absorbed by the system without exceeding 10% of the indicated