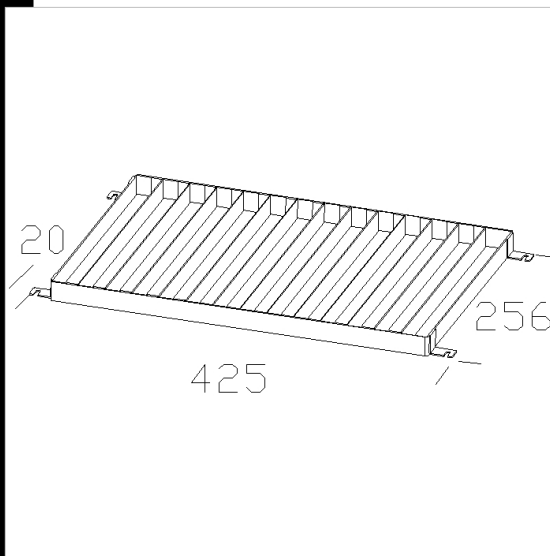
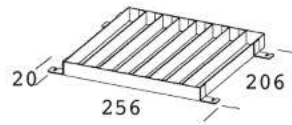


178 baffle louvre

In steel, cationic electrocoating.
Used to reduce glare and better direct the light beam.

Download

DXF 2D
- acc_178_iridio.dxf



Code	Kg	WTot	Colour
991373-00	0.15	0 W	BLACK

Products



- 1722 Iridio symmetric



- 1721 Iridio asymmetric

The reported luminous flux is the flux emitted by the light source with a tolerance of $\pm 10\%$ compared to the indicated value. The W tot column indicates the total wattage absorbed by the system without exceeding 10% of the indicated