



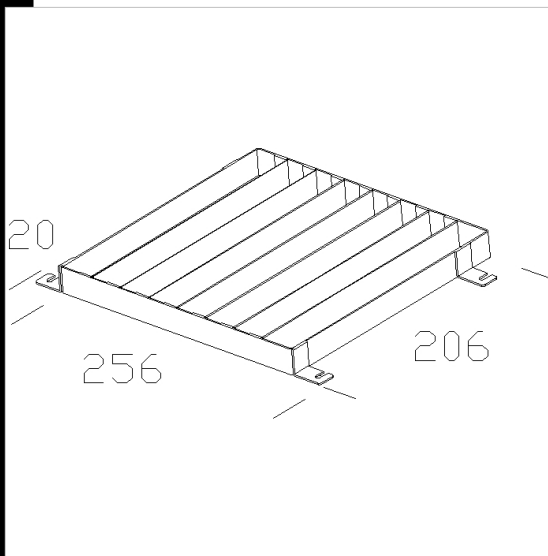
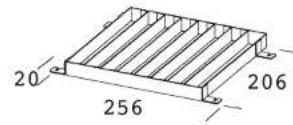
3° IP  
IK

**Download**

DXF 2D  
- acc\_176\_iridio.dxf

**176 baffle louvre**

In steel, cationic electrocoating.  
Used to reduce glare and better direct the light beam.



Code	Kg	WTot	Colour
991371-00	0.17	0 W	BLACK

**Products**



- 1720 Iridio symmetric



- 1719 Iridio asymmetric

The reported luminous flux is the flux emitted by the light source with a tolerance of  $\pm 10\%$  compared to the indicated value. The W tot column indicates the total wattage absorbed by the system without exceeding 10% of the indicated