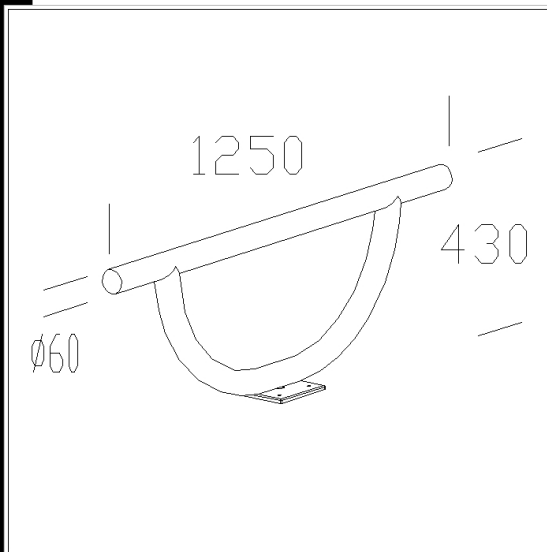
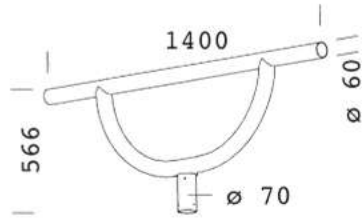




140 double pole mount for Giovi

In cationic electrocoated tropicalized steel. with a rough finish, to be used with acc. 87.



Code	Kg	WTot	Colour
991350-00	7.00	0 W	BLACK

Products



- 1652 Giovi



- 1654 Giovi bike trails

The reported luminous flux is the flux emitted by the light source with a tolerance of $\pm 10\%$ compared to the indicated value. The W tot column indicates the total wattage absorbed by the system without exceeding 10% of the indicated