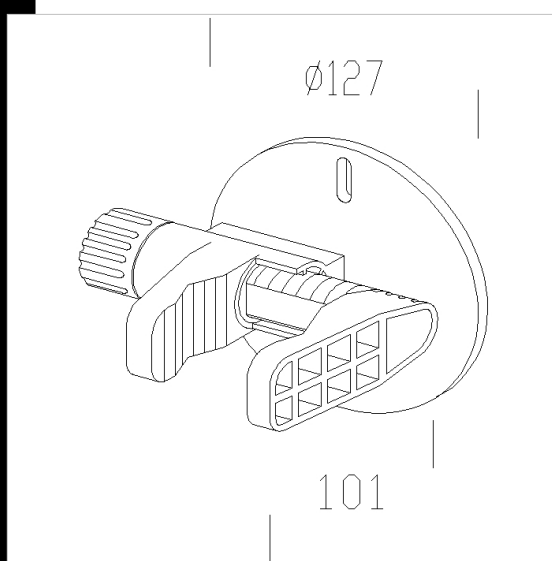
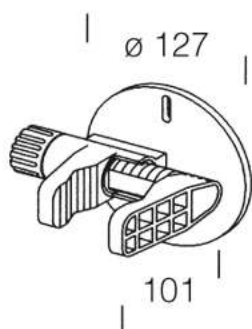


118 clamp

In fiber glass nylon. To apply Koala on various surfaces temporarily.

Download
DXF 2D
- acc118.dxf



Code	Kg	WTot	Colour
991334-00	0,40	0 W	BLACK

Prodotti



- 1537 Koala ES



- 1536 Koala



- 1220 Dafne



- 1537 Koala



- 1223 Dafne LED



- 1538 Koala - 230v



- 1537 Koala - COB



- 1537 Koala ES

The reported luminous flux is the flux emitted by the light source with a tolerance of $\pm 10\%$ compared to the indicated value. The W tot column indicates the total wattage absorbed by the system without exceeding 10% of the indicated