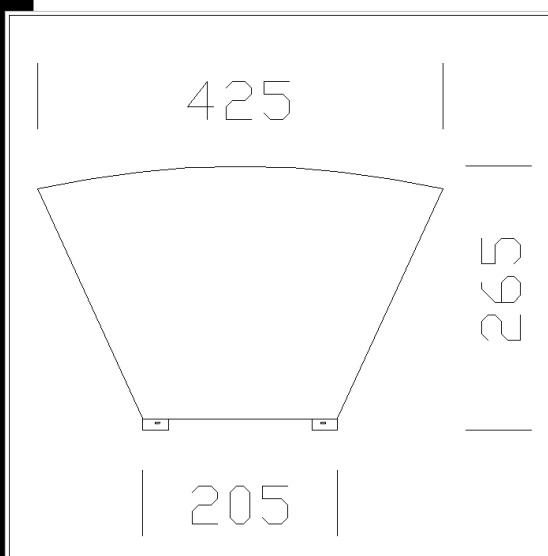
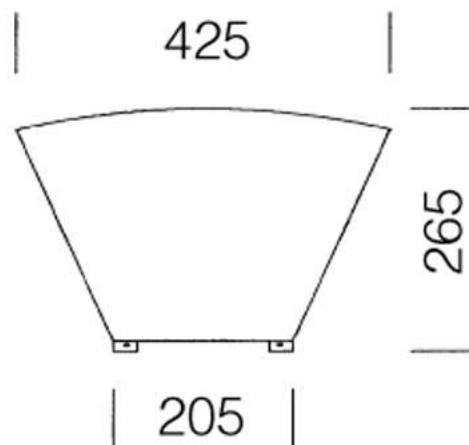


110 anti-glare diffuser

In micro-perforated sheet to avoid glare. To be fitted inside art. 1598 when this is installed near a window.



Download
DXF 2D
- acc110.dxf
Montaggi
- acc_110.pdf

Code	Kg	WTot	Colour
991327-00	0,50	0 W	WHITE

Prodotti



- 1599 Vista



- 1599 Vista against light



- 1595 Vista - with opal diffuser



- 1598 Vista - indirect light



- 1598 Vista

The reported luminous flux is the flux emitted by the light source with a tolerance of $\pm 10\%$ compared to the indicated value. The W tot column indicates the total wattage absorbed by the system without exceeding 10% of the indicated