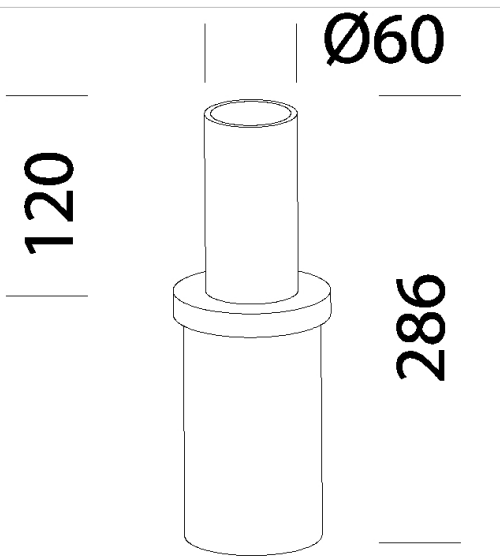
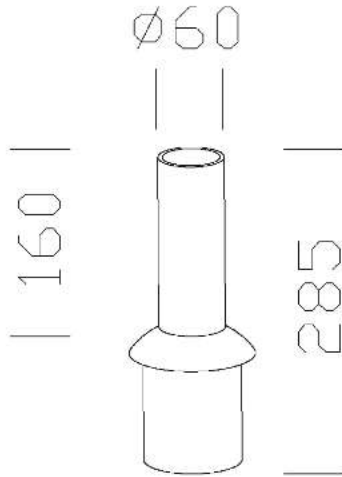




528 union 60mm

It enables the installation of fixtures on top of poles in single-lamps configurations. 60mm



Code	Kg	WTot	Colour
991288-00	1.64	0 W	ANTHRACITE
991463-00	1.64	0 W	GRAPHITE

Posts



- 1487 poles to be sunk into the



- 1485 pole with base ϕ 102



- 1420 pole with base



- 1421 poles to be sunk into the



- 1418 poles to be sunk into the ground ϕ 102-159



- 1417 pole with base ϕ 102-159

Products



- 3315 Pordoï - with glass



- 3302 Visconti 3



- 3304 Visconti 5



- 3305 Visconti 6 - Bike Trails



- 3318 Pordoï



- 3308 Visconti 9 LED - wide beam



- 3309 Visconti 10 LED - Bike Trails



- 3320 Pordoï 4 - LED - street type



- 3321 Pordoï 5 - LED - Wide beam



- 3317 Pordoï



- 3311 Visconti 12 - STWB

The reported luminous flux is the flux emitted by the light source with a tolerance of $\pm 10\%$ compared to the indicated value. The W tot column indicates the total wattage absorbed by the system without exceeding 10% of the indicated