



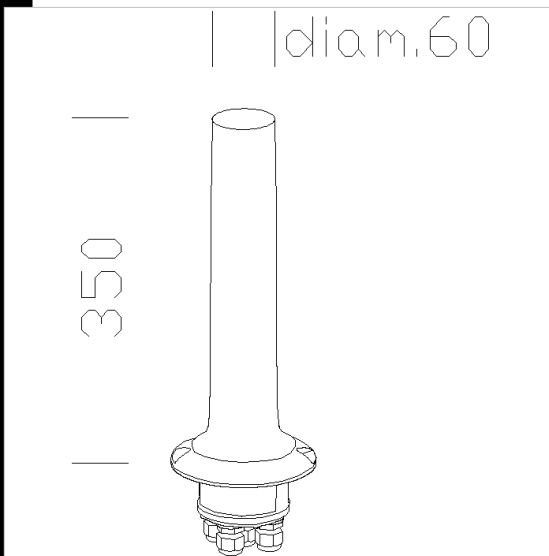
Download

- DXF 2D
- 517.dxf
- 3DS
- disano_517_lucerna.3ds
- 3DM
- disano_517_lucerna.3dm



517 central connection

In die-cast aluminium, use with acc. 1420-21 supplied with feeder, external PVC sheath, and double insulated silicone conductors, 2x1 sqmm section. Plastic distribution box and terminal for connection to the line. Stainless steel screws.



| Code | Kg | WTot | Colour |
|-------------|------|------|--------|
| 99128300-00 | 0,00 | 0 W | |

Pali



- 1420 pole with base



- 1421 poles to be sunk into the

Prodotti



- 3203 Lucerna Q3 with diffuser



- 3210 Lucerna R1



- 3213 Lucerna R3 with diffuser



- 3212 Lucerna R LED



- 3209 Lucerna Q8 LED asymmetric



- 3214 Lucerna LED



- 3202 Lucerna Q2 LED COB



- 3202 Lucerna Q2 LED

The reported luminous flux is the flux emitted by the light source with a tolerance of $\pm 10\%$ compared to the indicated value. The W tot column indicates the total wattage absorbed by the system without exceeding 10% of the indicated