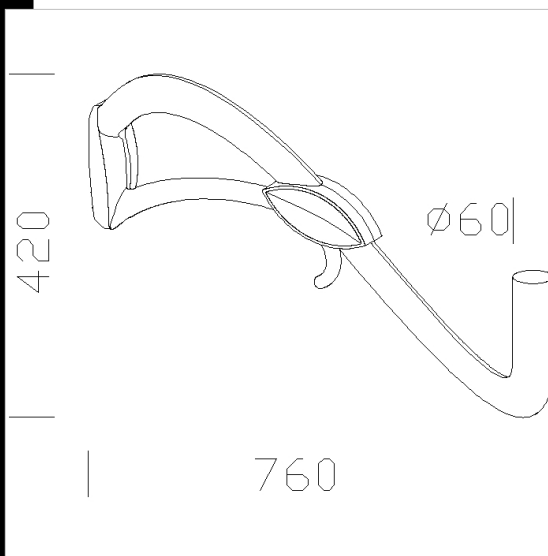
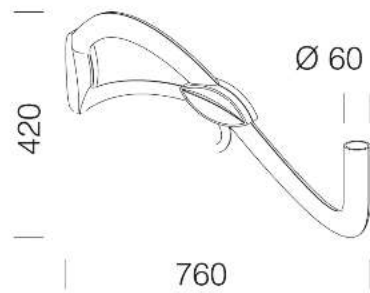


514 bracket for Lucerna



Download

- DXF 2D  
- 514.dxf
- 3DS  
- disano\_514\_lucerna.3ds
- 3DM  
- disano\_514\_lucerna.3dm



Code	Kg	WTot	Colour
99128000-00	0,00	0 W	

Pali



- 1420 pole with base



- 1421 poles to be sunk into the

Prodotti



- 3203 Lucerna Q3 with diffuser



- 3210 Lucerna R1



- 3213 Lucerna R3 with diffuser



- 3212 Lucerna R LED



- 3200 Lucerna Q1



- 3209 Lucerna Q8 LED asymmetric



- 3214 Lucerna LED



- 3202 Lucerna Q2 LED COB



- 3202 Lucerna Q2 LED

The reported luminous flux is the flux emitted by the light source with a tolerance of ± 10% compared to the indicated value. The W tot column indicates the total wattage absorbed by the system without exceeding 10% of the indicated