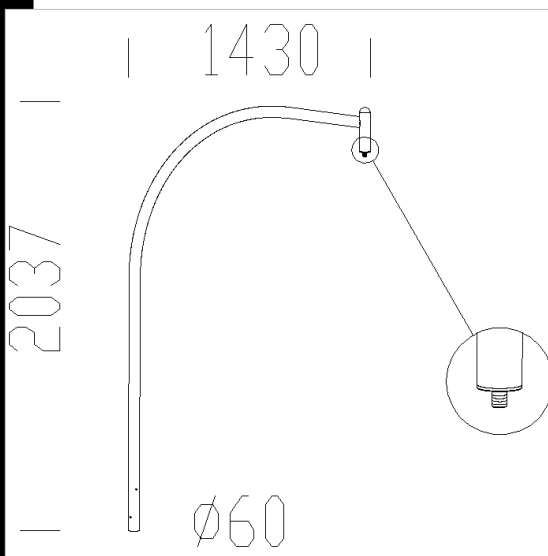
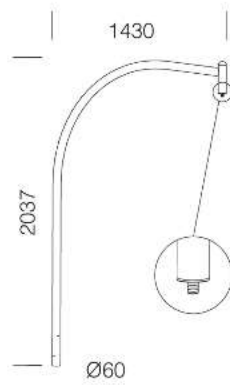


511 bent arm

In steel. To be used together with acc. 383/384/385 for mounting to 1340/41/42/43 pole. For one, two or three lamp compositions.



Download

- DXF 2D
- 511b.dxf
- 3DS
- disano\_511.3ds
- 3DM
- disano\_511.3dm

Code	Kg	WTot	Colour
991276-00	12.00	0 W	GREY9007

Products



- 3188 Sforza Ø600 centre road



- 3183 Sforza Ø500



- 3186 Sforza Ø500 centre road



- 3224 Sforza LED wide beam



- 3226 Sforza LED centre road



- 3227 Sforza LED



- 3301 Visconti 2 - with glass



- 3307 Visconti 8 LED - Amenities



- 3310 Visconti 11 LED

The reported luminous flux is the flux emitted by the light source with a tolerance of ± 10% compared to the indicated value. The W tot column indicates the total wattage absorbed by the system without exceeding 10% of the indicated