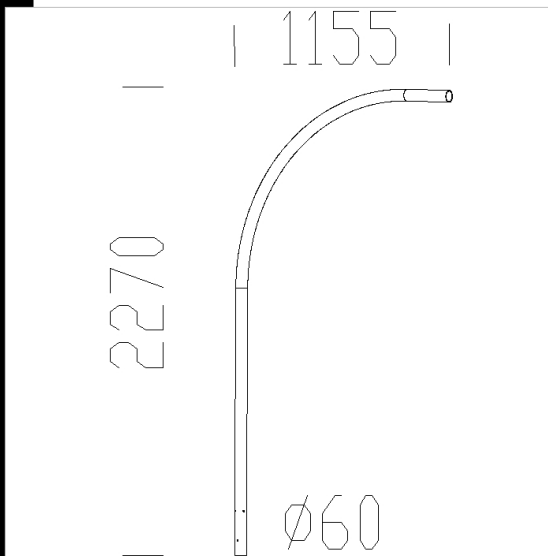
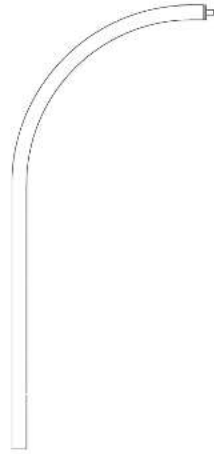


510 bent arm

In steel. To be used together with acc. 383/384/385 for mounting to 1340/41/42/43 pole. For one, two or three lamp compositions.

Download

- DXF 2D
- 510b.dxf
- 3DS
- disano_510.3ds
- 3DM
- disano_510.3dm



Code	Kg	WTot	Colour
991275-00	12.00	0 W	GREY9007

Products



- 3185 Sforza Ø500



- 3190 Sforza Ø500 - bike trails



- 3182 Sforza Ø500 - pedestrian



- 3184 Sforza Ø500 - pedestrian



- 3223 Sforza LED - asymmetric



- 3189 Sforza Ø500

The reported luminous flux is the flux emitted by the light source with a tolerance of ± 10% compared to the indicated value. The W tot column indicates the total wattage absorbed by the system without exceeding 10% of the indicated