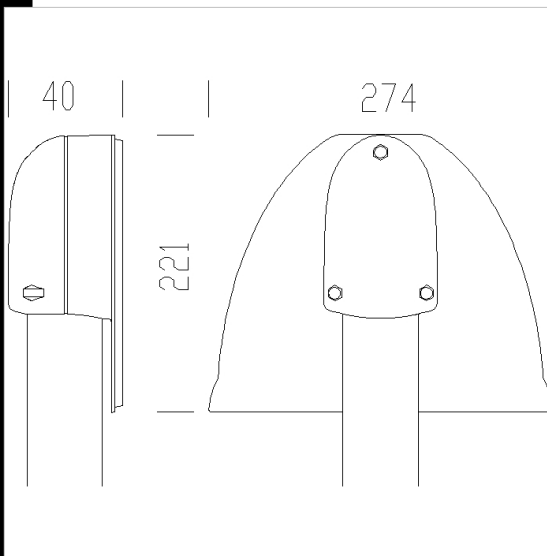
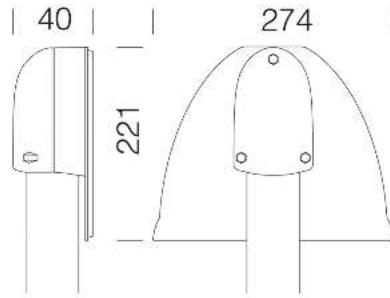


Download

DXF 2D
- 502.dxf



Code	Kg	WTot	Colour
991260-00	1.74	0 W	GRIGIO

Products



- 1285 Green



- 1275 Green

The reported luminous flux is the flux emitted by the light source with a tolerance of $\pm 10\%$ compared to the indicated value. The W tot column indicates the total wattage absorbed by the system without exceeding 10% of the indicated