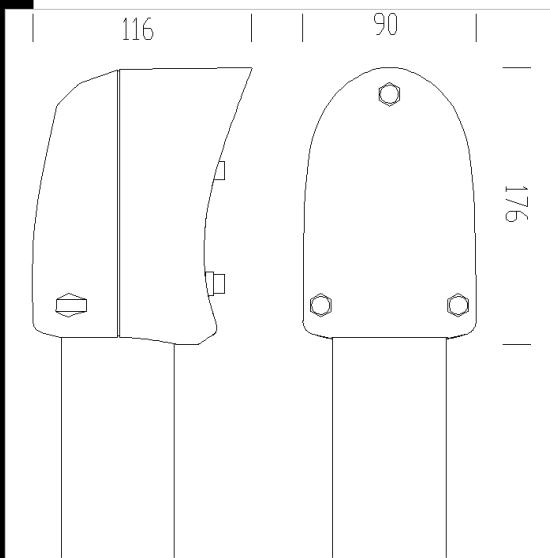
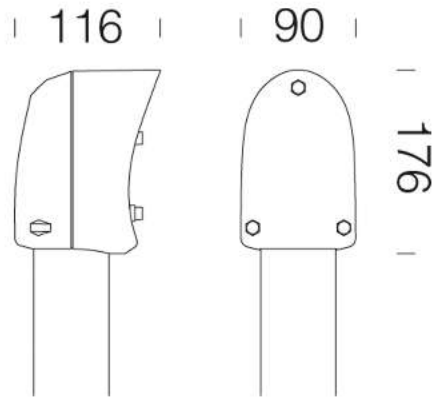




452 mono pole connection

Made of fibreglass nylon enables the Garden fixture to be mounted on a  $\varnothing 60$  pole.



Code	Kg	WTot	Colour
991252-00	0.29	0 W	BLACK
991253-00	0.31	0 W	SANDBLASTED SILVER

Products



- 1280 Garden



- 1287 Garden

The reported luminous flux is the flux emitted by the light source with a tolerance of  $\pm 10\%$  compared to the indicated value. The W tot column indicates the total wattage absorbed by the system without exceeding 10% of the indicated