

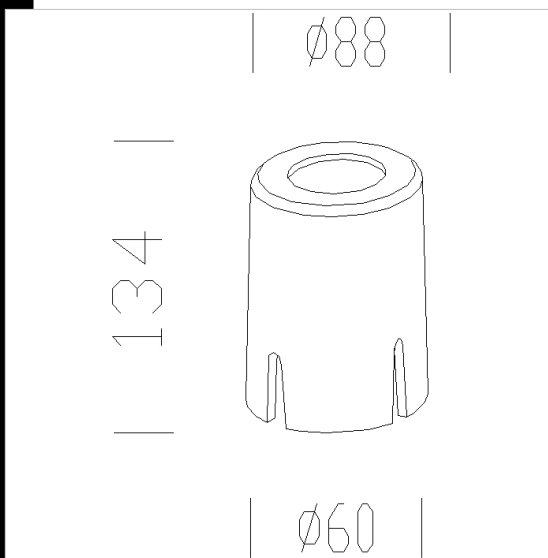
209 pole $\varnothing 60$ adapter

In die-cast aluminium.



Download

DXF 2D
- acc_209_max.dxf



Code	Kg	WTot	Colour
991243-00	1,00	0 W	GREY

Prodotti



- For main and local roads -

The reported luminous flux is the flux emitted by the light source with a tolerance of $\pm 10\%$ compared to the indicated value. The W tot column indicates the total wattage absorbed by the system without exceeding 10% of the indicated