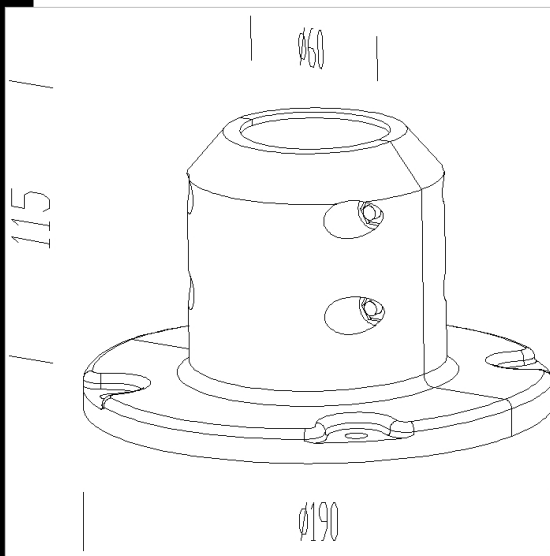
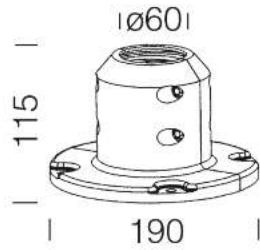


50 Base for acc.5

Complete with anchors to be sunk into the ground.
Use with poles max h = 1900.
Mount Ø 60.

Download

DXF 2D
- d50.dxf



Code	Kg	WTot	Colour
991216-00	0,59	0 W	BLACK

Pali



- 5 fiberglass pole

Prodotti



- 1320 large base



- 1313 aluminum base CNRL



- 1313 aluminium base S/CNR

The reported luminous flux is the flux emitted by the light source with a tolerance of $\pm 10\%$ compared to the indicated value. The W tot column indicates the total wattage absorbed by the system without exceeding 10% of the indicated